



**KEY FEATURES**

- Available with 30° (Narrow) or 100° (wide) symmetric optics
- Hazardous location available
- Thermally managed for maximum longevity
- Adjustable mounting bracket
- Operation and environmental benefits of LED technology
- Robust construction suitable for outdoor applications



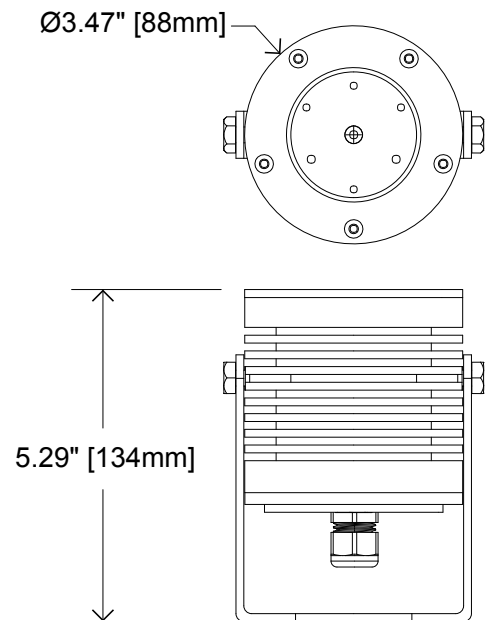
**MODEL NUMBER SELECTOR** Example: CANLED-CW-W-ALU-GEN

MODEL	COLOR	OPTIC	FINISH	LOCATION
CANLED				GEN
	<b>CW</b> - Cool White <b>NW</b> - Neutral White <b>WW</b> - Warm White <b>CUS</b> - Custom <i>Contact for custom color</i>	<b>N</b> -Narrow <b>W</b> -Wide <b>NF</b> -Narrow Frosted <b>WF</b> -Wide Frosted	<b>ALU</b> -Aluminium <b>CUS</b> -Custom <i>See pg2 for custom finishes</i>	<b>GEN</b> - General <i>C1D2 Available for Hazardous Locations</i> <i>See CANLED-C1D2</i>

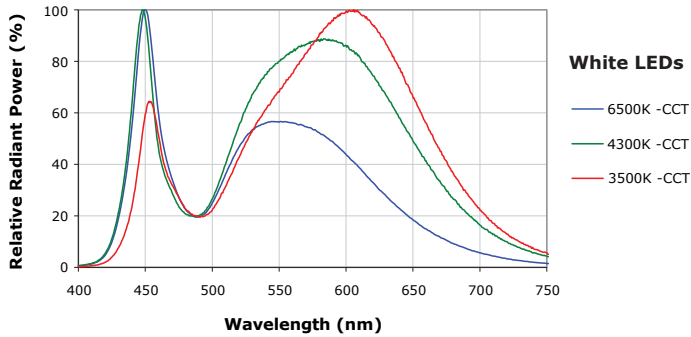
**TECHNICAL SPECIFICATIONS / MAXIMUM RATINGS**

HOUSING	Aluminum
MOUNTING	Aluminum Yoke
VOLTAGE MAXIMUM	28 VDC
TYPICAL INPUT VOLTAGE	12-24 VDC
POWER	7.9 W @ 12 VDC   8.4 W @ 24 VDC
CURRENT	0.66 A @12 VDC   0.35 A @ 24 VDC
CONNECTIONS	6Ft Flying Lead (Custom Lengths Available)
TEMPERATURE RANGE	-40°C – +85°C
TYPICAL CASE TEMPERATURE	~15°C Above Ambient Temperature
CERTIFICATIONS	Certified To CSA 22.2 No. 250.0 , Conforms To UL 1598 Standard, Class 1 Division 2 Groups ABCD , T3
INGRESS PROTECTION	IP66
COLOR TEMP RANGE	CW: 6500K   NW: 4300K   WW: 3500K
CRI VALUE	CW: 75   NW: 75   WW: 80
TOTAL LUMENS	442
TOTAL SCOTOPIC LUMEN	946
WEIGHT	2.3 lb   1.04 kg

**DIMENSIONS**



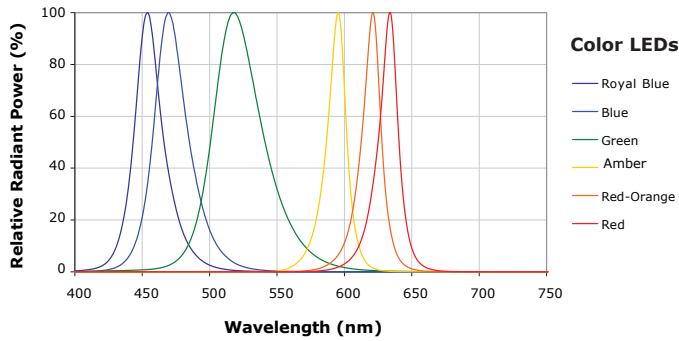
PHOTOMETRICS



NARROW BEAM



FROSTED LENS

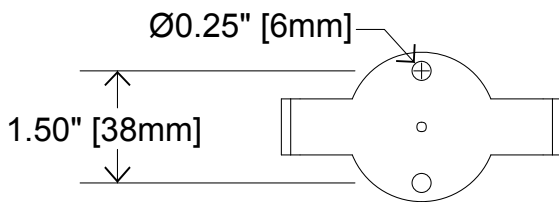


WIDE BEAM



MOUNTING OPTIONS

MOUNTING BRACKET



CUSTOM OPTIONS

CUSTOM FINISHES

Anodized Aluminum

Gold



Red



Blue



Clear



Please contact for further options

Powder Coated Aluminum

Red



Blue



Grey



Please contact for further options